

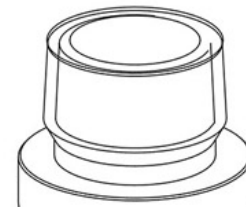
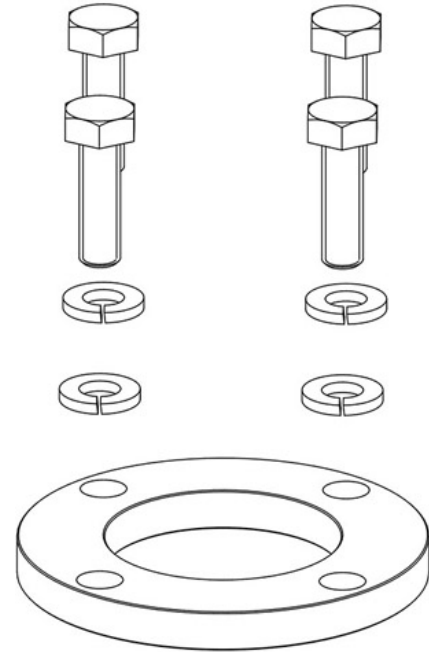
Product Code

**5690/X14**

Oil Level Regulator Adapter

3/4"NPT

PS = 140 bar



### Product use

The oil regulators ensure monitoring and control of the oil level in the crankcases of both alternative reciprocating and scroll compressors.

Specifically, these regulators are employed to resolve the problem of incorrect oil distribution in multiple compressor plants.

- Refrigerant CO2 (R744)

### Product details

Compressor crankcase connect 3/4" NPT thread

Package pcs	5
-------------	---

### Notes

(1) including screws for fixing the adapter to the oil level regulator