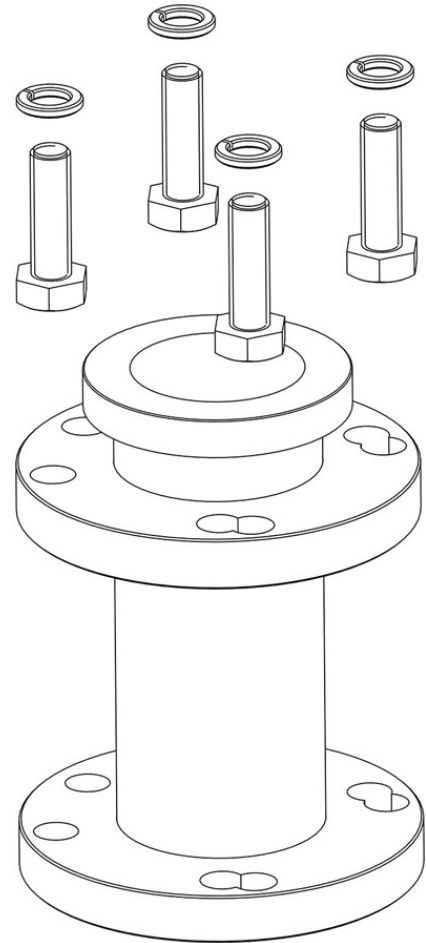


Product Code

**5690/X11**

Oil Level Regulator Adapter  
Flanged 3 holes D. 1.7/8"-4 holes D. 50  
PS = 140 bar



### Product use

The oil regulators ensure monitoring and control of the oil level in the crankcases of both alternative reciprocating and scroll compressors. Specifically, these regulators are employed to resolve the problem of incorrect oil distribution in multiple compressor plants.

- Refrigerant CO<sub>2</sub> (R744)

### Product details

**Compressor crankcase connect** Flanged with 3 holes on dia 1.7/8" and 4 holes on dia 50 mmL = 83 mm

**Package pcs** 5

### Notes

(1) including screws for fixing the adapter to the oil level regulator