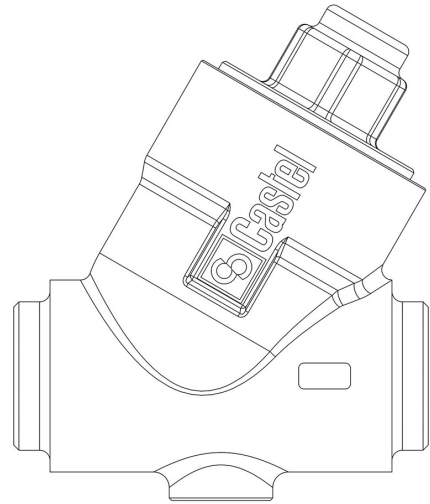


## Product Code

# 3124N/M22

Check Valve  
22mm ODS  
PS = 50 bar



**P**  **LYHEDRA**

### Product use

Accessories for use with the following ASHRAE 34:2019 refrigerants, Class A1, A2L, or A3:

HFC (R134A, R32, R404A, R407C, R410A, R507)

HFO (R1234YF, R1234ZE)

HFO + HFC (R448A, R449A, R450A, R452A, R452B, R454A, R454B, R454C, R455A, R513A, R515A, R515B)

HC (R290, R600, R600A, R1270)

### Product details

|                                 |      |
|---------------------------------|------|
| Connections ODS Ø [in.]         | -    |
| Connections ODS Ø [mm]          | 22   |
| ODM Ø [in.]                     | -    |
| ODM Ø [mm]                      | 28   |
| Kv [m <sup>3</sup> /h]          | 8,1  |
| differential pressure (1) [bar] | 0,04 |
| PS [bar]                        | 50   |
| TS [°C] min.                    | -40  |
| TS [°C] max.                    | +150 |
| Package pcs                     | 14   |

## Notes

(1) Minimum pressure at which the valve is completely open