

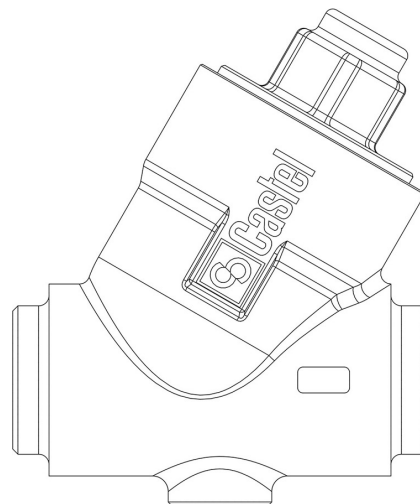
Product Code

**3124N/9**

Check Valve

1.1/8"ODS

PS = 50 bar



**P**  **LYHEDRA**

### Product use

Accessories for use with the following ASHRAE 34:2019 refrigerants, Class A1, A2L, or A3:  
 HFC (R134A, R32, R404A, R407C, R410A, R507)  
 HFO (R1234YF, R1234ZE)  
 HFO + HFC (R448A, R449A, R450A, R452A, R452B, R454A, R454B, R454C, R455A, R513A, R515A, R515B)  
 HC (R290, R600, R600A, R1270)

### Product details

Connections ODS Ø [in.] 1.1/8"

Connections ODS Ø [mm] -

ODM Ø [in.] 1.3/8"

ODM Ø [mm] 35

Kv [m<sup>3</sup>/h] 10,4

differential pressure (1) [bar] 0,04

PS [bar] 50

TS [°C] min. -40

TS [°C] max. +150

Package pcs 14

## Notes

(1) Minimum pressure at which the valve is completely open