

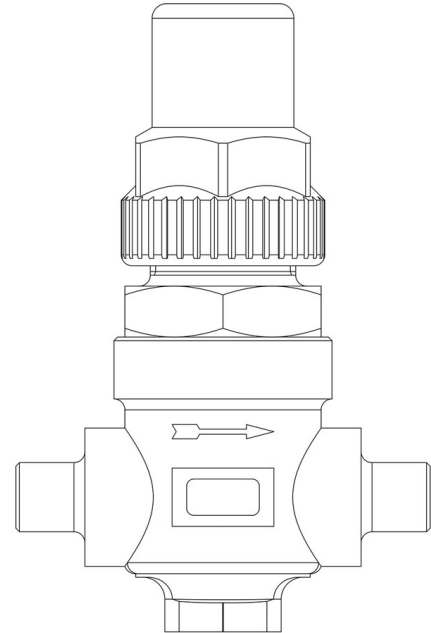
Product Code

**6420E/4**

Capped Valve

1/2" ODS

PS = 120 bar



### Product use

Accessories for use with refrigerant R744.

### Product details

Connections SAE Flare -

Connections ODS Ø [in.] 1/2"

ODS Ø [mm] -

Kv [m<sup>3</sup>/h] 1,45

PS[bar] 140

MWP [psi] (1) 2030

TS[°C] min. -40

TS[°C] max. +130

Package pcs 45

### Notes

(1): UL approval ongoing