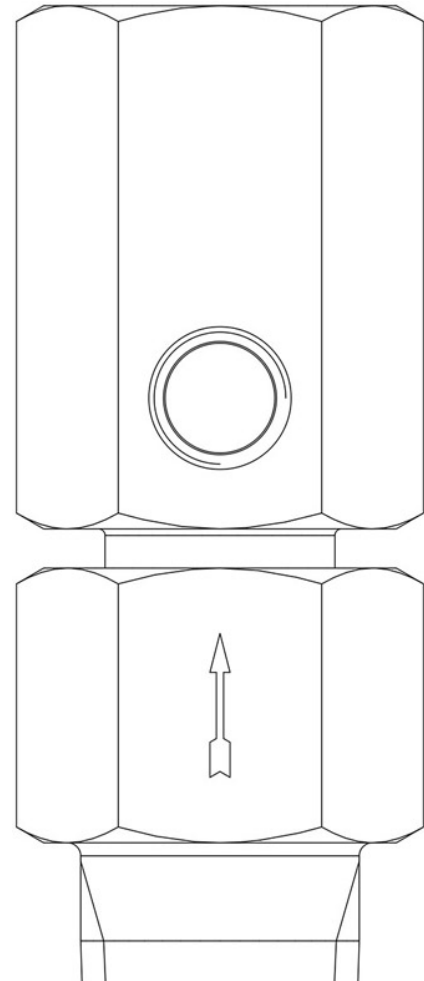


## Product Code

# 3070/44C140

Bursting Disc Safety Device  
1/2"x1/2"NPT Pset=14,0bar  
PS = 55 bar



### Product use

Safety device 3070 is a pressure relief device that cannot be closed again, in which a bursting disc is sensitive to a positive differential pressure between the upstream and downstream sections. It is designed to burst at a specified pressure.

Safety accessories for use with the following ASHRAE 34:2019 refrigerants, Class A1:

HCFC (R22)

HFC (R134a, R404A, R407C, R410A, R507)

HFO (R1234ze)

HFO + HFC (R448A, R449A, R450A, R452A, R513A, R515A, R515B)

Available at various burst pressures from 14 to 52 bar.

### Product details

|   |              |
|---|--------------|
| <b>Connections male IN</b>              | 1/2" NPT     |
| <b>Connections female OUT</b>           | 1/2" NPT     |
| <b>service</b>                          | 2 x 1/8" NPT |
| <b>Orifice section [mm<sup>2</sup>]</b> | 113          |
| <b>Bursting pressure Pb [bar]</b>       | 14           |
| <b>Max operating pressure</b>           | 75 % Pb      |
| <b>PS[bar]</b>                          | 55           |

|                    |      |
|--------------------|------|
| <b>TS[°C] min.</b> | -50  |
| <b>TS[°C] max.</b> | +150 |
| <b>Package pcs</b> | 20   |