

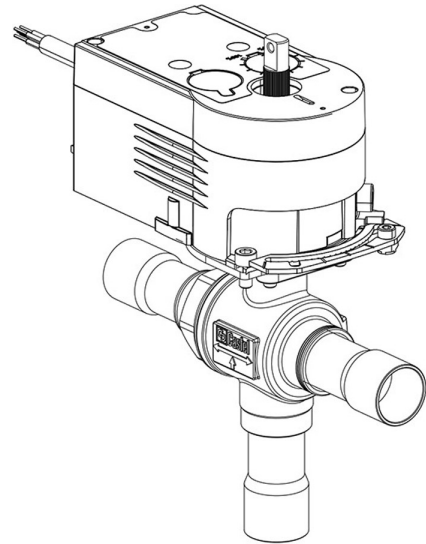
Product Code

**6690NM/M28A2**

3-Ways Motorized Ball Valve

28mm ODS 24V

PS = 50 bar



**P**  **LYHEDRA**

### Product use

Accessories for use with the following ASHRAE 34:2019 refrigerants, Class A1, A2L, A3:

HFC (R134A, R32, R404A, R407C, R410A, R507)

HFO (R1234YF, R1234ZE)

HFO + HFC (R448A, R449A, R450A, R452A, R452B, R454A, R454B, R454C, R455A, R513A, R515A, R515B)

HC (R290, R600, R600A, R1270)

### Product details

Part number (1) 6690NM/M28A2

Part number (1)

Connections ODS Ø [in.] -

Connections ODS Ø [mm] 28

W Ø [mm] -

P/N Servomotor 9700/RA2

Torque [Nm] 10

Ball port Ø [mm] 24

Kv [m<sup>3</sup>/h] 15,9

PS [bar] 50

TS [°C] min. -40

TS [°C] max.	+150
--------------	------

Package pcs	1
-------------	---

## Notes

NB: proportional flow versions available  
(1): with servomotor and mounting plate