

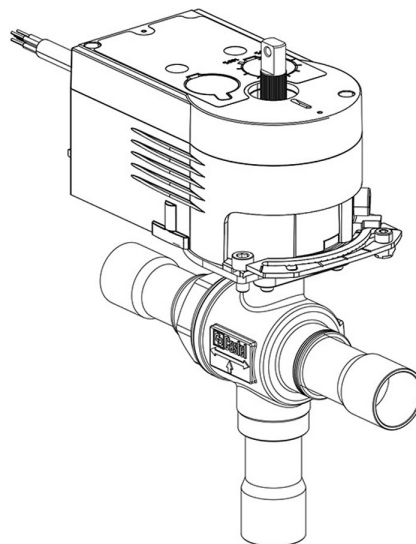
## Product Code

# 6690NM/6A6

3-Ways Motorized Ball Valve-polyhedra

3/4" ODS 230V

PS = 50 bar



### Product use

Accessories for use with the following ASHRAE 34:2019 refrigerants, Class A1, A2L, A3:

HFC (R134A, R32, R404A, R407C, R410A, R507)

HFO (R1234YF, R1234ZE)

HFO + HFC (R448A, R449A, R450A, R452A, R452B, R454A, R454B, R454C, R455A, R513A, R515A, R515B)

HC (R290, R600, R600A, R1270)

### Product details

**Part number (1)** 6690NM/6A6

**Part number (1)**

**Connections ODS Ø [in.]** 3/4"

**Connections ODS Ø [mm]** -

**W Ø [mm]** -

**P/N Servomotor** 9700/RA6

**Torque [Nm]** 10

**Ball port Ø [mm]** 13,5

**Kv [m<sup>3</sup>/h]** 4,6

**PS [bar]** 50

**TS [°C] min.** -40

**TS [°C] max.** +150

**Package pcs** 1

## Notes

NB: proportional flow versions available  
(1): with servomotor and mounting plate