

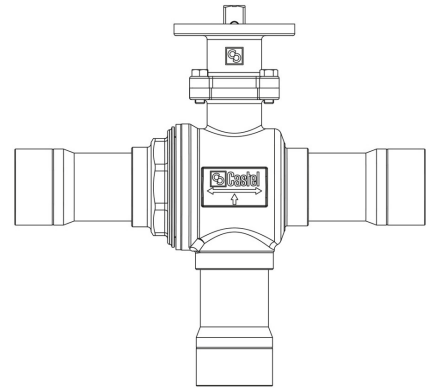
Product Code

**6697EB/7**

3-Ways Valves to be motorized CO2

7/8" ODS

PS = 130 bar



### Product use

Accessories for use with refrigerant R744.

### Product details

Part number (1) 6697EB/7

Part number (1)

Connections ODS Ø [in.] 7/8"

Connections ODS Ø [mm] 22

W Ø [mm] -

Ball port Ø [mm] 19

Kv [m<sup>3</sup>/h] 10,7

PS [bar] 130

MWP [psi] (2) (3)

TS [°C] min. -40

TS [°C] max. +150

Package pcs 1

## Notes

NB: proportional flow versions available

(1): with adapter for actuators with ISO mounting flange

(2): according to UL approval

(3): not UL approved