

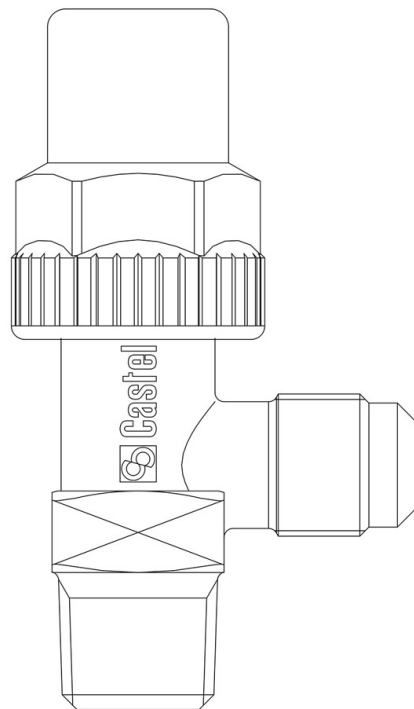
## Product Code

# 6110E/X13

Receiver Valve CO2

3/8"Flare femminax3/8"Flare

PS = 140 bar



## Product use

Accessories for use with refrigerant R744.

## Product details

**Connections SAE Flare** 3/8" F

**Connections SAE Flare** 3/8"

**NPT** -

**NPT** -

**Kv [m<sup>3</sup>/h]** 1,35

**PS [bar]** 140

**MWP [psi] (3)** 2030

**TS [°C] min.** -40

**TS [°C] max.** +130

**Package pcs** 90

## Notes

(1): including a conical gasket 7580/2

(2): can be installed without gasket

(3): UL approval ongoing