

Product Code

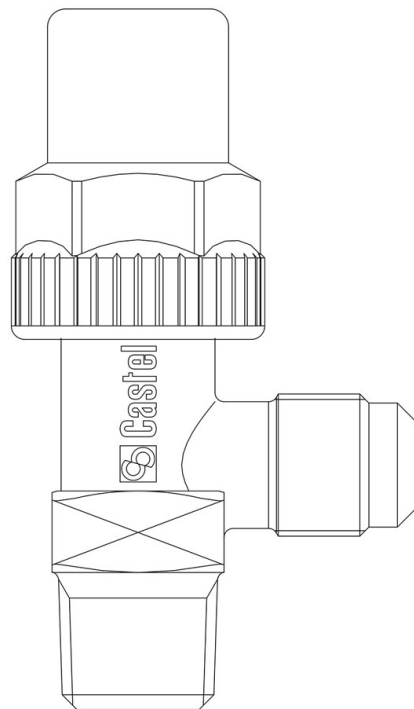
6110/X11

Receiver Valve

1/4"NPTx1/4"NPT female

PS = 45 bar

CLASSIC



Product use

Accessories for use with the following ASHRAE 34:2019 refrigerants, Class A1:

HCFC (R22)

HFC (R134a, R404A, R407C, R410A, R507)

HFO (R1234ze)

HFO + HFC (R448A, R449A, R450A, R452A, R513A, R515A, R515B)

Product details

| | |
|--------------------------|----------|
| Access fitting SAE Flare | - |
| Connections SAE Flare | - |
| Connections NPT | 1/4" M/F |
| Kv [m ³ /h] | 0,44 |
| PS [bar] | 45 |
| TS [°C] min. | -40 |
| TS [°C] max. | +130 |
| Package pcs | 48 |