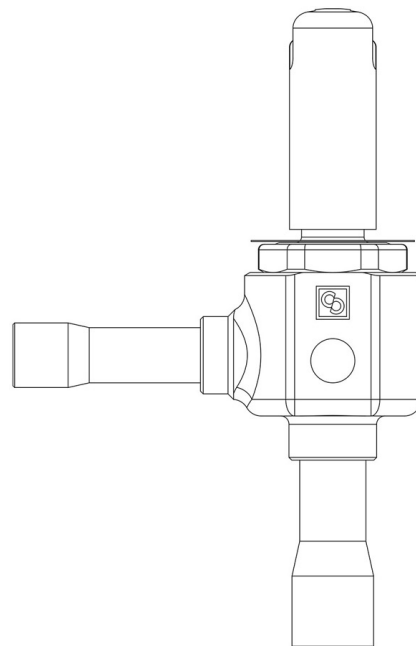


Product Code

2028N/M10S02

PWM Expansion Valve
10mmx12mm ODS Seat 02
PS = 50 bar



P  **LYHEDRA**

Product use

Accessories for use with the following ASHRAE 34:2019 refrigerants, Class A1, A2L, or A3:

- HFC (R134A, R32, R404A, R407C, R410A, R507)
- HFO (R1234YF, R1234ZE)
- HFO + HFC (R448A, R449A, R450A, R452A, R452B, R454A, R454B, R454C, R455A, R513A, R515A, R515B)
- HC (R290, R600, R600A, R1270)

These valves are only sold in the model without the coil (S suffix), with 9 nozzles assembled for an increasing output from 1 to 22 kW with R410A.

Product details

| | |
|------------------------|-------|
| Orifice type | 02 |
| Connections In Ø [in.] | - |
| Connections In Ø [mm] | 10 |
| Out Ø [in.] | - |
| Out Ø [mm] | 12 |
| Kv [m ³ /h] | 0,017 |
| PS [bar] | 50 |
| TS [°C] min. | -40 |
| TS [°C] max. | +100 |
| Package pcs. | 17 |

Castel non si assume alcuna responsabilità per eventuali errori nei cataloghi, opuscoli e altro materiale stampato o indicato nel sito Castel.it. Castel si riserva il diritto di modificare i propri prodotti senza preavviso. Tutti i marchi in questo materiale sono di proprietà di Castel. Tutti i diritti riservati.

Castel assumes no responsibility for any errors in catalogs, brochures and other material printed or indicated on the Castel.it website. Castel reserves the right to modify its products without notice. All trademarks in this material are the property of Castel. All rights reserved.

Notes

for rated capacities see table of the orifice assemblies