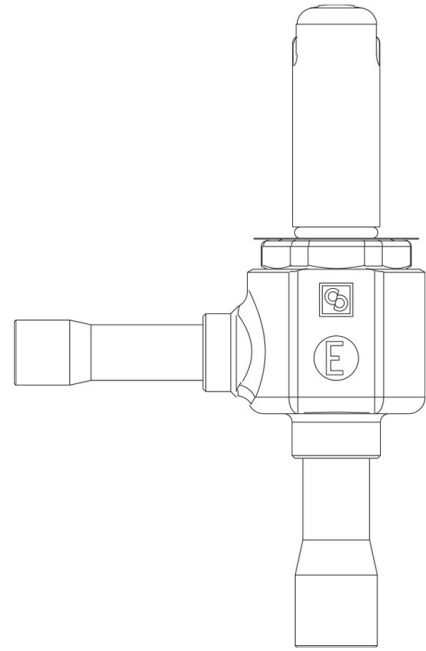


Product Code

2028E/M10S00

10mmx12mm ODS Seat 00
10mmx12mm ODS Orificio 00
PS = 90 bar



Product use

Accessories for use with refrigerant R744.

These valves are only sold in the model without the coil (S suffix), with 9 nozzles assembled for an increasing output from 2 to 43 kW.

Product details

Orifice type 00

Connections In Ø [in.] -

Connections In Ø [mm] 10

Out -

Out Ø [mm] 12

Kv [m³/h] 0,0027

PS [bar] 90

MWP [psi] (1) 1305

TS [°C] min. -50

TS [°C] max. +100

Package pcs. 17

Notes

(1): according to UL approval