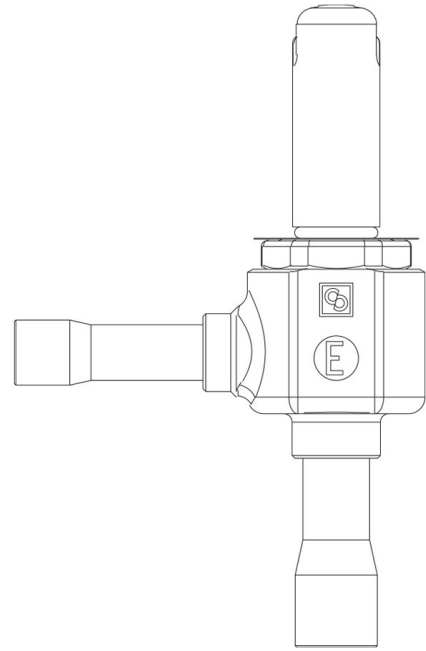


## Product Code

# 2028E/3S00

PWM Expansion Valve CO2  
3/8"x1/2"ODS Orificio 00  
PS = 90 bar



### Product use

Accessories for use with refrigerant R744.

These valves are only sold in the model without the coil (S suffix), with 9 nozzles assembled for an increasing output from 2 to 43 kW.

### Product details

Orifice type	00
Connections In Ø [in.]	3/8"
Connections In Ø [mm]	-
Out	1/2"
Out Ø [mm]	-
Kv [m <sup>3</sup> /h]	0,0027
PS [bar]	90
MWP [psi] (1)	1305
TS [°C] min.	-50
TS [°C] max.	+100
Package pcs.	17

### Notes

(1): according to UL approval