

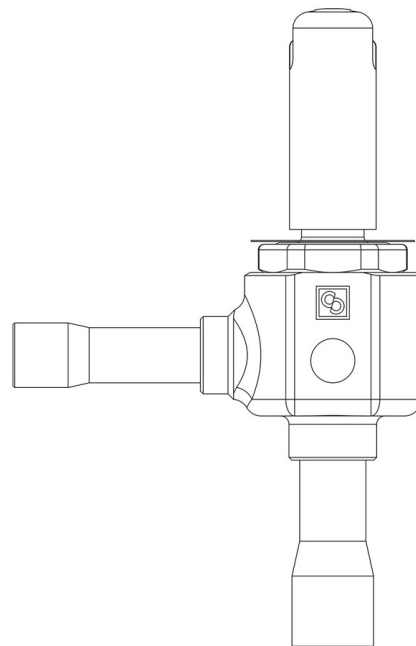
## Product Code

# 2028R/3S06

PWM Expansion Valve VLT R23

3/8"x1/2"ODS Seat 06

PS = 45 bar



CLASSIC

## Product use

Accessories for use with the following ASHRAE 34:2019 refrigerants, Class A1:

HCFC (R22)

HFC (R134a, R404A, R407C, R410A, R507)

HFO (R1234ze)

HFO + HFC (R448A, R449A, R450A, R452A, R513A,  
R515A, R515B)

These valves are only sold in the model without the coil (S suffix), with 9 nozzles assembled for an increasing output from 1 to 22 kW with R410A.

## Product details

Orifice type	06
Connections In Ø [in.]	3/8"
Connections In Ø [mm]	-
Out Ø [in.]	1/2"
Out Ø [mm]	-
Kv [m <sup>3</sup> /h]	0,113
Rated capacity R23 (1) [kW]	13,5
PS [bar]	45
TS [°C] min.	-80

TS [°C] max.	+60
Package pcs.	17

## Notes

(1) Rated capacities are based on:

- Evaporating temperature  $T_{\text{evap}} = -30\text{ °C}$
- Condensing temperature  $T_{\text{cond}} = -4\text{ °C}$
- Refrigerant liquid temperature ahead of valve  $T_{\text{liq}} = -8\text{ °C}$