

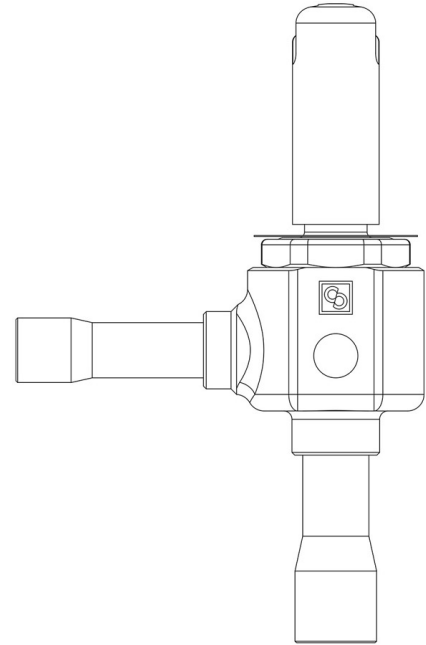
## Product Code

# 2028R/3S04

PWM Expansion Valve VLT R23

3/8"x1/2"ODS Seat 04

PS = 45 bar



CLASSIC

## Product use

Accessories for use with the following ASHRAE 34:2019 refrigerants, Class A1:

HCFC (R22)

HFC (R134a, R404A, R407C, R410A, R507)

HFO (R1234ze)

HFO + HFC (R448A, R449A, R450A, R452A, R513A,  
R515A, R515B)

These valves are only sold in the model without the coil (S suffix), with 9 nozzles assembled for an increasing output from 1 to 22 kW with R410A.

## Product details

Orifice type 04

Connections In Ø [in.] 3/8"

Connections In Ø [mm] -

Out Ø [in.] 1/2"

Out Ø [mm] -

Kv [m<sup>3</sup>/h] 0,043

Rated capacity R23 (1) [kW] 5,7

PS [bar] 45

TS [°C] min. -80

TS [°C] max.	+60
--------------	-----

Package pcs.	17
--------------	----

## Notes

(1) Rated capacities are based on:

- Evaporating temperature  $T_{\text{evap}} = -30\text{ °C}$
- Condensing temperature  $T_{\text{cond}} = -4\text{ °C}$
- Refrigerant liquid temperature ahead of valve  $T_{\text{liq}} = -8\text{ °C}$