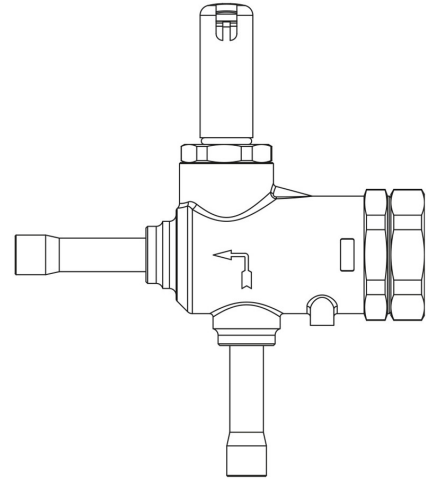


## Product Code

# 1437E/3S070

Solenoid Valve CO2  
3/8" ODS w/o Coil  
PS = 130 bar



### Product use

Accessories for use with refrigerant R744.  
These valves are exclusively sold in the model without coil (S suffix).

### Product details

Operating principle	Piston pilot operated
Coil Type (1)	HF3
Connections ODS Ø [in.]	3/8"
Connections ODS Ø [mm]	-
Kv [m <sup>3</sup> /h]	1,1
PS [bar]	130
MWP [psi] (4)	1885
TS [°C] min.	-40
TS [°C] max.	+150
Package Pcs.	14

### Notes

- (1) : coils that can be fit on the valves
- (2) : for use on the oil line TS = -10 /+70 °C

(3) : for use on the oil line please contact CASTEL

(4): UL approval ongoing