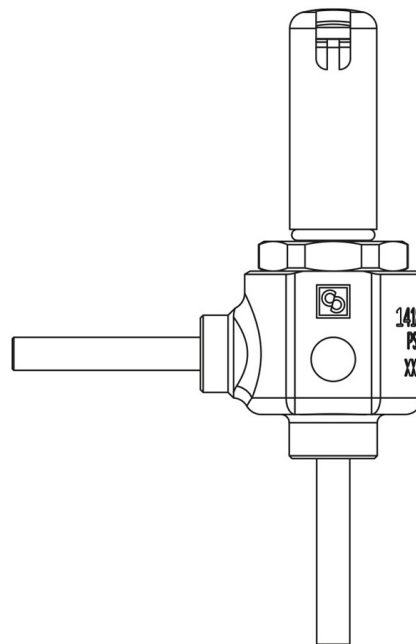


Product Code

1418E/M6S05

Solenoid Valve CO2
6mm ODS Seat 05 w/o Coil
PS = 140 bar



Product use

Accessories for use with refrigerant R744.
These valves are exclusively sold in the model without coil (S suffix).

Product details

Operating principle	Direct acting
Coil Type (1)	HF3
Connections ODS Ø [in.]	-
Connections ODS Ø [mm]	6
Kv [m ³ /h]	0,065
PS [bar]	140
MWP [psi] (4)	2030
TS [°C] min.	-40
TS [°C] max.	+150
Package Pcs.	17

Notes

- (1) : coils that can be fit on the valves
- (2) : for use on the oil line TS = -10 /+70 °C

(3) : for use on the oil line please contact CASTEL

(4): UL approval ongoing