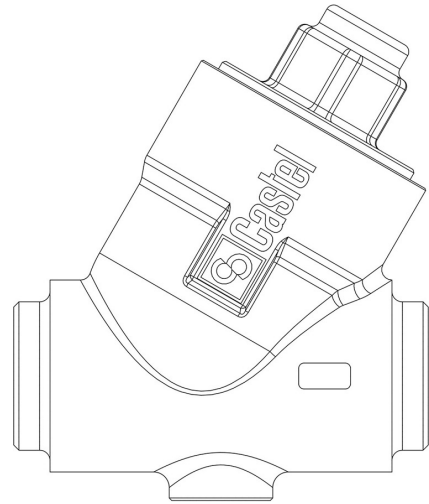


Product Code

3125N/M42

Check Valve
42mm ODS
PS = 50 bar



P  **LYHEDRA**

Product use

Accessories for use with the following ASHRAE 34:2019 refrigerants, Class A1, A2L, or A3:

HFC (R134A, R32, R404A, R407C, R410A, R507)

HFO (R1234YF, R1234ZE)

HFO + HFC (R448A, R449A, R450A, R452A, R452B, R454A, R454B, R454C, R455A, R513A, R515A, R515B)

HC (R290, R600, R600A, R1270)

Product details

| | |
|---------------------------------|------|
| Connections ODS Ø [in.] | - |
| Connections ODS Ø [mm] | 42 |
| ODM Ø [in.] | 2" |
| ODM Ø [mm] | - |
| Kv [m ³ /h] | 27 |
| differential pressure (1) [bar] | 0,3 |
| PS [bar] | 50 |
| TS [°C] min. | -40 |
| TS [°C] max. | +150 |
| Package pcs | 1 |

Notes

(1) Minimum pressure at which the valve is completely open