

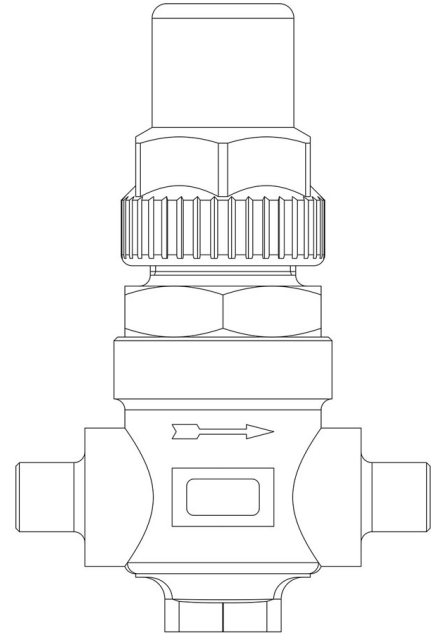
Product Code

6420E/4

Capped Valve

1/2"ODS

PS = 120 bar



Product use

Accessories for use with refrigerant R744.

Product details

Connections SAE Flare -

Connections ODS Ø [in.] 1/2"

ODS Ø [mm] -

Kv [m³/h] 1,45

PS[bar] 140

MWP [psi] (1) 2030

TS[°C] min. -40

TS[°C] max. +130

Package pcs 45

Notes

(1): UL approval ongoing