

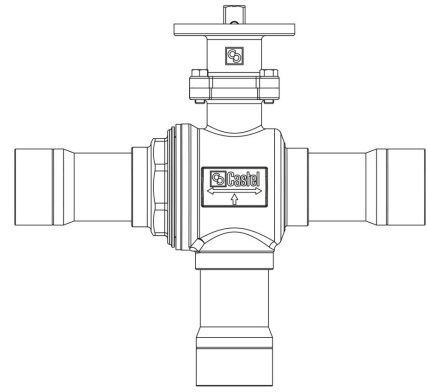
Product Code

**6697EB/9**

1.1/8"ODS

1.1/8"ODS

PS = 130 bar



### Product use

Accessories for use with refrigerant R744.

### Product details

Part number (1) 6697EB/9

Part number (1)

Connections ODS Ø [in.] 1.1/8"

Connections ODS Ø [mm] -

W Ø [mm] -

Ball port Ø [mm] 24

Kv [m<sup>3</sup>/h] 15,9

PS [bar] 130

MWP [psi] (2) (3)

TS [°C] min. -40

TS [°C] max. +150

Package pcs 1

## Notes

NB: proportional flow versions available

(1): with adapter for actuators with ISO mounting flange

(2): according to UL approval

(3): not UL approved