

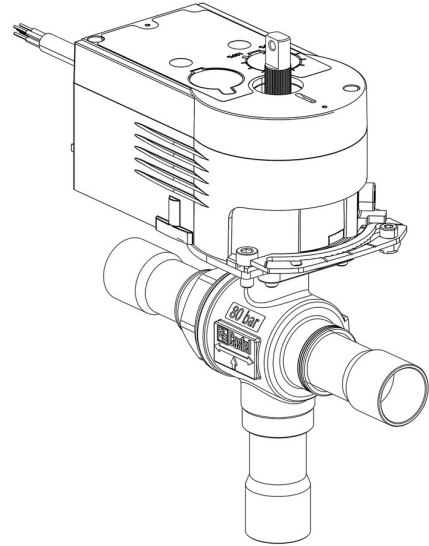
Product Code

**6690EM/M28A2**

3-Ways Motorized Ball Valve CO2

28mm ODS 24V

PS = 80 bar



### Product use

Accessories for use with refrigerant R744.

### Product details

Part number (1) 6690EM/M28A2

Part number (1)

Connections ODS Ø [in.] -

Connections ODS Ø [mm] 28

W Ø [mm] -

P/N Actuator 9700/RA2

Torque [Nm] 10

Ball port Ø [mm] 24

Kv [m<sup>3</sup>/h] 15,9

PS [bar] 80

TS [°C] min. -40

TS [°C] max. +150

Package pcs 1

## Notes

(1): including actuator and mounting plate

NB: proportional flow versions available