

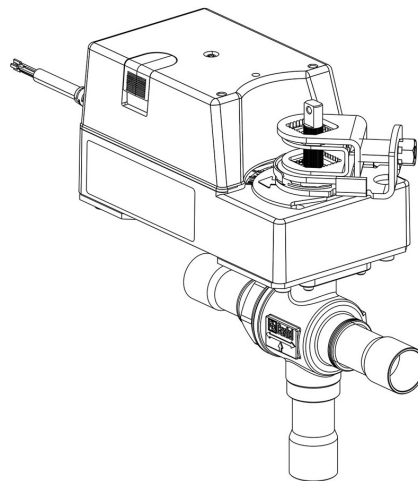
## Product Code

# 6690M/M42A2

3-Ways Motorized Ball Valve

42mm ODS 24V

PS = 45 bar



CLASSIC

### Product use

Accessories for use with the following ASHRAE 34:2019 refrigerants, Class A1:

HCFC (R22)

HFC (R134a, R404A, R407C, R410A, R507)

HFO (R1234ze)

HFO + HFC (R448A, R449A, R450A, R452A, R513A, R515A, R515B)

### Product details

Part number (1) 6690M/M42A2

Part number (1)

Connections ODS Ø [in.] -

Connections ODS Ø [mm] 42

W Ø [mm] -

P/N Servomotor 9720/RA2

Torque [Nm] 30

Ball port Ø [mm] 37

Kv[m<sup>3</sup>/h] 38,5

PS[bar] 45

TS[°C] min. -40

|             |      |
|-------------|------|
| TS[°C] max. | +150 |
|-------------|------|

|             |   |
|-------------|---|
| Package pcs | 1 |
|-------------|---|

## Notes

NB: proportional flow versions available  
(1): with servomotor and mounting plate