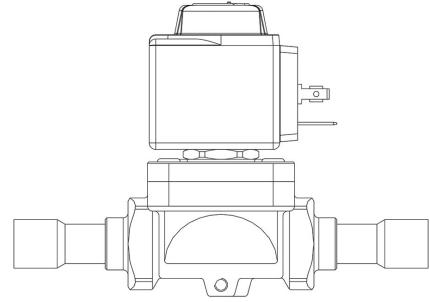


Product Code

1078N/4A6

Solenoid Valve
1/2"ODS 220/230V
PS = 50 bar



P  **LYHEDRA**

Product use

Accessories for use with the following ASHRAE 34:2019 refrigerants, Class A1, A2L, or A3:
HFC (R134A, R32, R404A, R407C, R410A, R507)
HFO (R1234YF, R1234ZE)
HFO + HFC (R448A, R449A, R450A, R452A, R452B, R454A, R454B, R454C, R455A, R513A, R515A, R515B)
HC (R290, R600, R600A, R1270)

These valves are sold in both the version without the coil (S suffix) and the version with the coil (A6 suffix for coils at 220 VAC).

Product details

Principio de funcionamiento Servomandode membrana

Dibujo img(1078N_4A6.jpg)

N° catálogo 1078N/4A6

Tipo Bobina (1) HF2

Conexiones ODS Ø [in.] 1/2"

Conexiones ODS Ø [mm] -

Kv [m³/h] 2,2

PS [bar] 50

TS [°C] min. -40

| | |
|--------------|------|
| TS [°C] max. | +120 |
|--------------|------|

| | |
|----------------------|----|
| Paquete de n° piezas | 17 |
|----------------------|----|

Notes

(1) : bobinas montadas en las válvulas