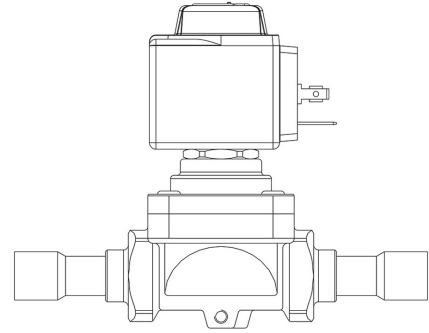


Product Code

1048N/5A6

Solenoid Valve
5/8"-16mm ODS 220-230V
PS = 50 bar



P  **LYHEDRA**

Product use

Accessories for use with the following ASHRAE 34:2019 refrigerants, Class A1, A2L, or A3:
HFC (R134A, R32, R404A, R407C, R410A, R507)
HFO (R1234YF, R1234ZE)
HFO + HFC (R448A, R449A, R450A, R452A, R452B, R454A, R454B, R454C, R455A, R513A, R515A, R515B)
HC (R290, R600, R600A, R1270)

These valves are sold in both the version without the coil (S suffix) and the version with the coil (A6 suffix for coils at 220 VAC).

Product details

Principio de funcionamiento Servomando de pistón

Dibujo img(1048N_4A6.jpg)

N° catálogo 1048N/5A6

Tipo Bobina (1) HF2

Conexiones ODS Ø [in.] 5/8"

Conexiones ODS Ø [mm] 16

Kv [m³/h] 3

PS [bar] 50

TS [°C] min. -40

TS [°C] max.	+130
--------------	------

Paquete de n° piezas	14
----------------------	----

Notes

(1) : bobinas montadas en las válvulas