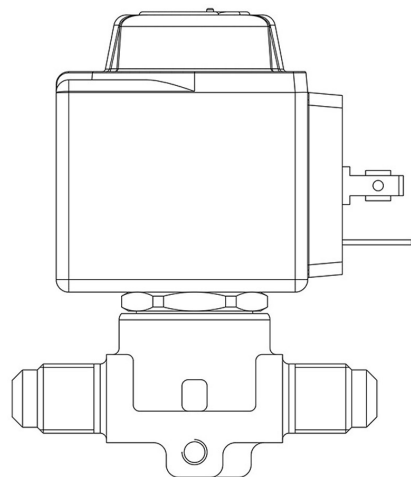


Product Code

1020N/2A6

Solenoid Valve
1/4"Flare 220-230V
PS = 50 bar



P  **LYHEDRA**

Product use

Accessories for use with the following ASHRAE 34:2019 refrigerants, Class A1, A2L, or A3:
 HFC (R134A, R32, R404A, R407C, R410A, R507)
 HFO (R1234YF, R1234ZE)
 HFO + HFC (R448A, R449A, R450A, R452A, R452B, R454A, R454B, R454C, R455A, R513A, R515A, R515B)
 HC (R290, R600, R600A, R1270)

These valves are sold in both the version without the coil (S suffix) and the version with the coil (A6 suffix for coils at 220 VAC).

Product details

Principio de funcionamiento	Acción directa
Dibujo	img(1020N_2A6.jpg)
N° catálogo	1020N/2A6
Tipo Bobina (1)	HF2
Conexiones SAE flare	1/4"
Kv [m³/h]	0,175
PS [bar]	50
TS [°C] min.	-40
TS [°C] max.	+130

Notes

(1) : bobinas montadas en las válvulas