

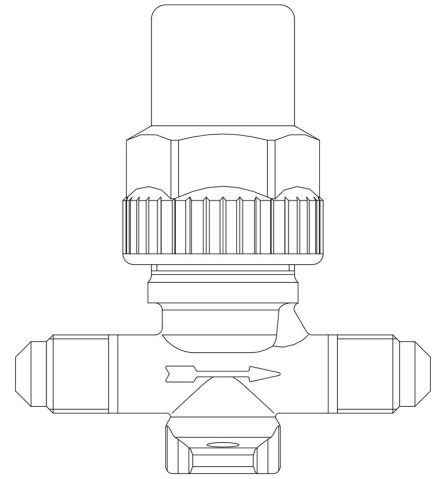
## Product Code

# 6012E/22

Two Ways Hermetic Valve CO2

1/4"Flare x1/4"ODS

PS = 140 bar



**G O G R E E N**

R744 • NATURAL REFRIGERANT

## Product use

Two-way valves with 90 ° connections

- Refrigerant CO2 (R744)

## Product details

Dibujo [img\(6010E\\_22.jpg\)](#)

N° catálogo 6012E/22

Conexiones SAE Flare 1/4"

Conexiones SAE Flare -

ODS Ø [in.] 1/4"

ODS Ø [in.] -

Kv [m³/h] 0,27

PS[bar] 140

MWP [psi] (1) 2030

TS[°C] min. -40

TS[°C] max. +130

Paquete de n° piezas 72

## Notes

(1): homologación UL em curso