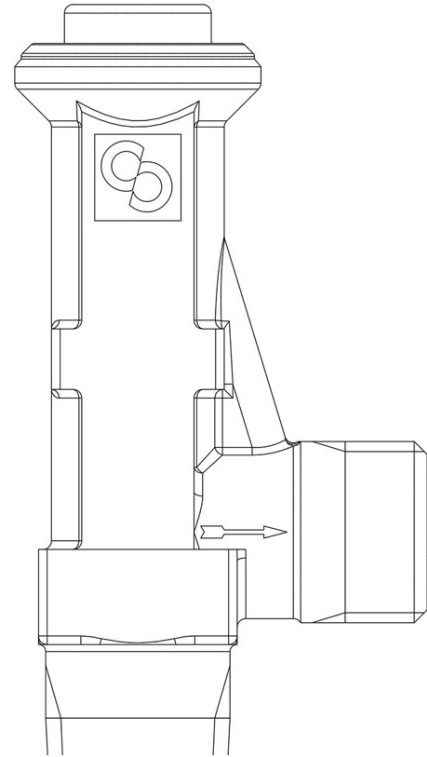


Product Code

3061/4TS

Safety valve
1/2"NPT x G1/2"Pset=
PS = 70 bar



Product use

Safety valve series 3061 and 3065, unbalanced conventional direct load. The valve opens when the thrust exerted on the plunger by the refrigerant under pressure, under calibrated conditions, overcomes the opposing force of the spring acting on the plunger.

Safety accessories (with calibration range from 11 to 60 bar) for use with the following ASHRAE 34:2019 refrigerants, Class A1, A2L, or A3:

HFC (R134A, R32, R404A, R407C, R410A, R507)

HFO (R1234YF, R1234ZE)

HFO + HFC (R448A, R449A, R450A, R452A, R452B, R454A, R454B, R454C, R455A, R513A, R515A, R515B)

HC (R290, R600, R600A, R1270)

Product details

Dibujo img(3061_2C.jpg)

N° catálogo 3061/4TS

Conexiones IN 1/2" NPT

Conexiones OUT 1/2" G

Sección orificio [mm²] 44,2

Coefficiente de pérdida Kd 0,783-G

Campo calibración [bar] 11 - 60

PS[bar] 70

TS[°C] min. -50

TS[°C] max. +120

Notes

Número de licencia CASTEL para la producción de válvulas de seguridad: TSF700F77-2022