

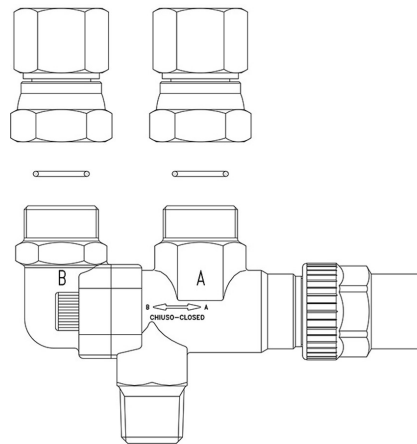
Product Code

3032E/44

Changeover Valve CO2

1/2"NPTx1/2"NPT

PS = 150 bar



Product use

Switching valves in series 3032E act as a service valve for a pair of safety valves, allowing the use of one and the exclusion of the other. This device allows the user to work on the isolated valve, for periodic inspection or replacement, while the line is completely operative and the system safety is integral.

Accessories for use with refrigerant R744.

Product details

Dibujo img(3032E_33.jpg)

N° catálogo 3032E/44

N° catálogo

Accesorios previstos 3039/4

Conexiones IN 1/2" NPT

Conexiones OUT 1/2" NPT

Kv [m³/h] 3,3

PS [bar] 150

TS[°C] min. -40

TS[°C] max. +150

Paquete de n° piezas 14

Notes

- (1) Utilizar con válvula 3030E/410C
- (2) Utilizar con válvula 3030E/610C