

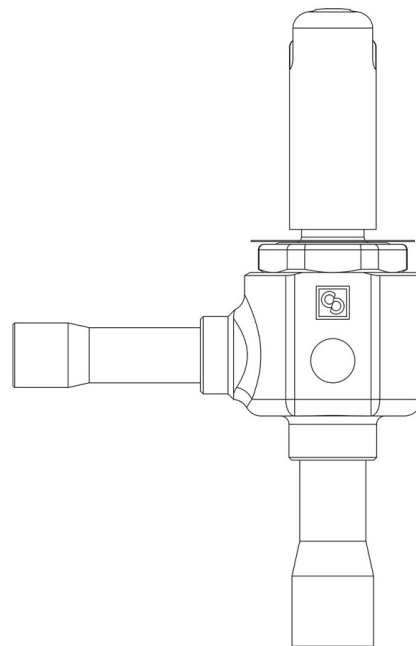
Product Code

2028N/3S00

PWM Expansion Valve

3/8"x1/2" ODS Seat 00

PS = 50 bar



Product use

Accessories for use with the following ASHRAE 34:2019 refrigerants, Class A1, A2L, or A3:

HFC (R134A, R32, R404A, R407C, R410A, R507)

HFO (R1234YF, R1234ZE)

HFO + HFC (R448A, R449A, R450A, R452A, R452B, R454A,

R454B, R454C, R455A, R513A, R515A, R515B)

HC (R290, R600, R600A, R1270)

These valves are only sold in the model without the coil (S suffix), with 9 nozzles assembled for an increasing output from 1 to 22 kW with R410A.

Product details

Dibujo img(2028N_3S01.jpg)

N° catálogo 2028N/3S00

Tipo orificio 00

Conexiones In Ø [in.] 3/8"

Conexiones In Ø [mm] -

Out Ø [in.] 1/2"

Out Ø [mm] -

Kv [m³/h] 0,0027

PS [bar] 50

TS [°C] min. -40

TS [°C] max. +100

Notes

para capacidades nominales ver tabla de grupos de orificios