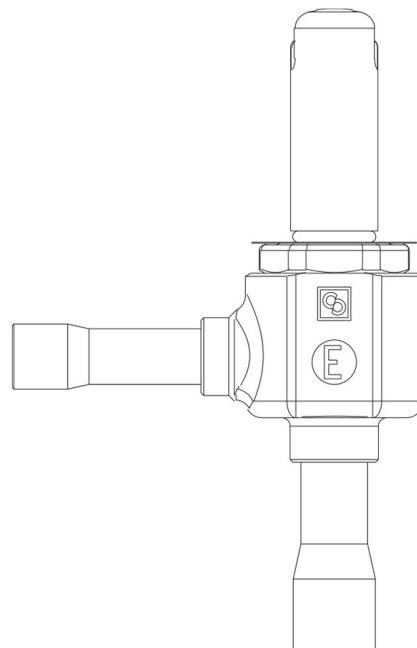


Product Code

2028E/M10S01

PWM Expansion Valve CO2
10mmx12mm ODS Orificio 01
PS = 90 bar



G O G R E E N

R744 • NATURAL REFRIGERANT

Product use

Accessories for use with refrigerant R744.

These valves are only sold in the model without the coil (S suffix), with 9 nozzles assembled for an increasing output from 2 to 43 kW.

Product details

Dibujo 

N° catálogo 2028E/M10S01

Tipo orificio 01

Conexiones In Ø [in.] -

Conexiones In Ø [mm] 10

Out Ø [in.] -

Out Ø [mm] 12

Kv [m³/h] 0,01

PS [bar] 90

MWP [psi] (1) 1305

TS [°C] min. min. -50

TS [°C] max. max. +100

Paquete de n° piezas 17

Notes

(1): en conformidad con la homologación UL