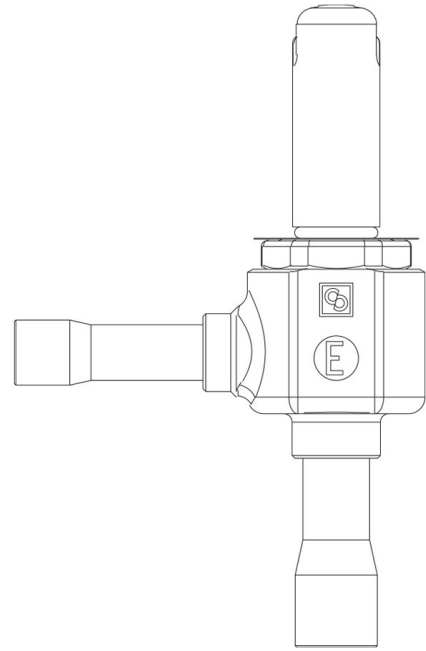


## Product Code

# 2028E/3S00

PWM Expansion Valve CO2  
3/8"x1/2"ODS Orificio 00  
PS = 90 bar



## Product use

Accessories for use with refrigerant R744.

These valves are only sold in the model without the coil (S suffix), with 9 nozzles assembled for an increasing output from 2 to 43 kW.

## Product details

Dibujo img(2028E\_3S01.jpg)

N° catálogo 2028E/3S00

Tipo orificio 00

Conexiones In Ø [in.] 3/8"

Conexiones In Ø [mm] -

Out Ø [in.] 1/2"

Out Ø [mm] -

Kv [m<sup>3</sup>/h] 0,0027

PS [bar] 90

MWP [psi] (1) 1305

TS [°C] min. min. -50

TS [°C] max. max. +100

Paquete de n° piezas 17

## Notes

(1): en conformidad con la homologación UL