

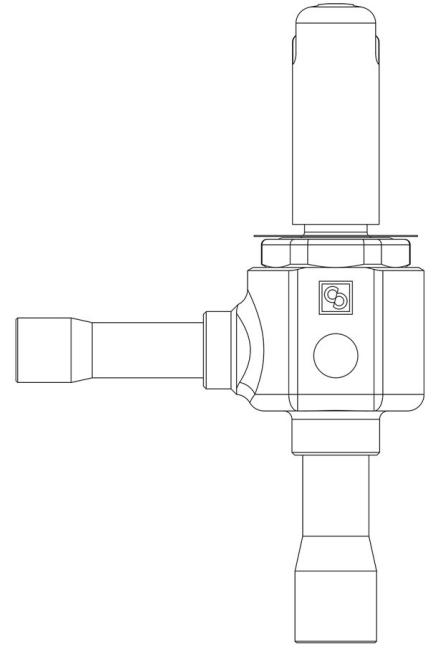
## Product Code

# 2028R/4S09

PWM Expansion Valve VLT R23

1/2"x5/8"ODS Seat 09

PS = 45 bar



CLASSIC

### Product use

Accessories for use with the following ASHRAE 34:2019 refrigerants, Class A1:

HCFC (R22)

HFC (R134a, R404A, R407C, R410A, R507)

HFO (R1234ze)

HFO + HFC (R448A, R449A, R450A, R452A, R513A,  
R515A, R515B)

These valves are only sold in the model without the coil (S suffix), with 9 nozzles assembled for an increasing output from 1 to 22 kW with R410A.

### Product details

Dibujo 

N° catálogo 2028R/4S09

Tipo orificio 09

Conexiones In Ø [in.] 1/2"

Conexiones In Ø [mm] -

Out Ø [in.] 5/8"

Out Ø [mm] -

Kv [m<sup>3</sup>/h] 0,25

Potencialidades nominales R23 28,6

PS [bar]	45
TS [°C] min.	-80
TS [°C] max.	+60
Paquete de n° piezas	17

## Notes

(1) Las potencialidades nominales se refieren a:

- Temperatura de evaporación  $T_{\text{evap}} = -30\text{ °C}$
- Temperatura de condensación  $T_{\text{cond}} = -4\text{ °C}$
- Temperatura del líquido en la entrada de la válvula  $T_{\text{liq}} = -8\text{ °C}$