

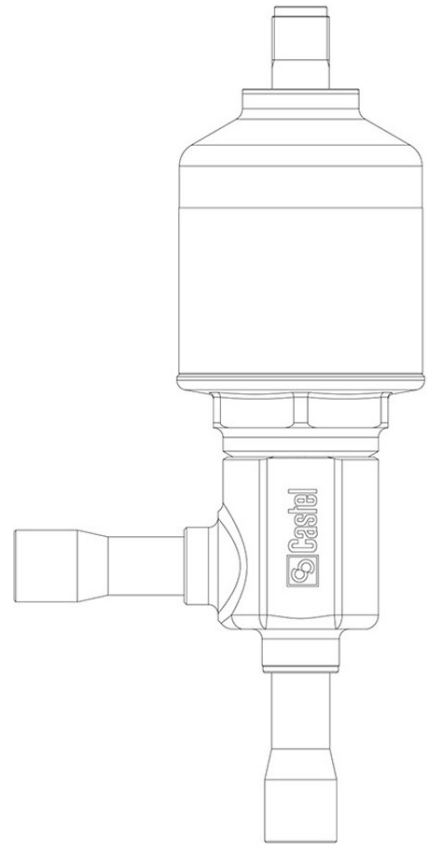
## Product Code

# 27232/7

Electronic Expansion Valve

7/8" ODS

PS = 50 bar



### Product use

Castel step-motor expansion valves series 271, 272, 273 regulate the flow of the liquid refrigerant into evaporators by modulating the valve shutter position in a calibrated orifice, allowing a wide capacity regulation range.

Accessories for use with the following ASHRAE 34:2019 refrigerants, Class A1, A2L, or A3:

HFC (R134A, R32, R404A, R407C, R410A, R507)

HFO (R1234YF, R1234ZE)

HFO + HFC (R448A, R449A, R450A, R452A, R452B, R454A, R454B, R454C, R455A, R513A, R515A, R515B)

HC (R290, R600, R600A, R1270)

### Product details

Dibujo [img\(27332\\_4.jpg\)](#)

N° catálogo [27232/7](#)

Conexiones In Ø [in.] 7/8"

Conexiones In Ø [mm] 7/8"

Out Ø [in.] 22

Out Ø [mm] 22

<b>PS [bar]</b>	50
<b>TS [°C] min.</b>	-40
<b>TS [°C] max.</b>	+60
<b>Tensión [V]</b>	9
<b>Potencia [W]</b>	5,4
<b>Pasos</b>	415
<b>Grado de protección</b>	IP65
<b>Paquete de n° piezas</b>	5

## Notes

Motor paso a paso bipolar de imanes permanentes