

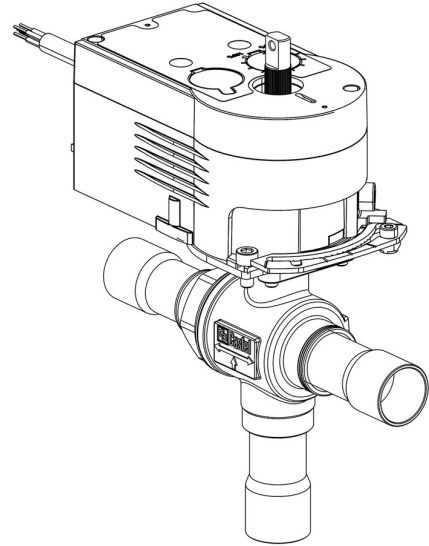
Product Code

**6690M/9A6**

3-Ways Motorized Ball Valve

1.1/8" ODS 230V

PS = 45 bar



CLASSIC

### Product use

Accessories for use with the following ASHRAE 34:2019 refrigerants, Class A1:

HCFC (R22)

HFC (R134a, R404A, R407C, R410A, R507)

HFO (R1234ze)

HFO + HFC (R448A, R449A, R450A, R452A, R513A, R515A, R515B)

### Product details

Dibujo [img\(6690M\\_7A2.jpg\)](#)

N° catálogo (1) 6690M/9A6

N° catálogo (1)

Conexiones ODS Ø [in.] 1.1/8"

Conexiones ODS Ø [mm] -

W Ø [mm] -

P/N Servomotor 9700/RA6

Torque [Nm] 10

Orificio Bola Ø [mm] 24

Kv[m<sup>3</sup>/h] 15,9

PS[bar] 45

TS[°C] min.	-40
TS[°C] max.	+150
Paquete de n° piezas	1

## Notes

NB: versiones de flujo proporcional disponibles  
(1): completo con servomotores y placa de montaje