

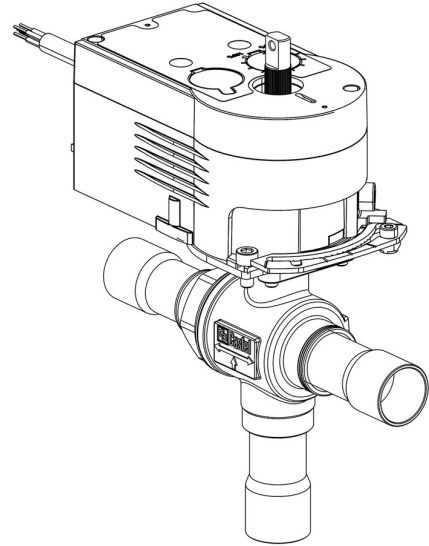
Product Code

6690M/5A6

3-Ways Motorized Ball Valve

5/8"-16mm ODS 230V

PS = 45 bar



Product use

Accessories for use with the following ASHRAE 34:2019 refrigerants, Class A1:

HCFC (R22)

HFC (R134a, R404A, R407C, R410A, R507)

HFO (R1234ze)

HFO + HFC (R448A, R449A, R450A, R452A, R513A, R515A, R515B)

Product details

Dibujo img(6690M_7A2.jpg)

N° catálogo (1) 6690M/5A6

N° catálogo (1) NEW

Conexiones ODS Ø [in.] 5/8"

Conexiones ODS Ø [mm] 16

W Ø [mm] -

P/N Servomotor 9700/RA6

Torque [Nm] 10

Orificio Bola Ø [mm] 13,5

Kv[m³/h] 4,6

PS[bar] 45

TS[°C] min. -40

TS[°C] max. +150

Notes

NB: versiones de flujo proporcional disponibles

(1): completo con servomotores y placa de montaje