

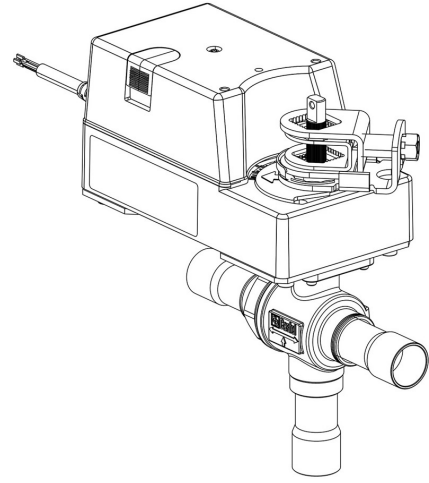
## Product Code

# 6690M/13A2

3-Ways Motorized Ball Valve

1.5/8"ODS 24V

PS = 45 bar



CLASSIC

### Product use

Accessories for use with the following ASHRAE 34:2019 refrigerants, Class A1:

HCFC (R22)

HFC (R134a, R404A, R407C, R410A, R507)

HFO (R1234ze)

HFO + HFC (R448A, R449A, R450A, R452A, R513A, R515A, R515B)

### Product details

Dibujo [img\(6690M\\_11A2.jpg\)](#)

N° catálogo (1) 6690M/13A2

N° catálogo (1)

Conexiones ODS Ø [in.] 1.5/8"

Conexiones ODS Ø [mm] -

W Ø [mm] -

P/N Servomotor 9720/RA2

Torque [Nm] 30

Orificio Bola Ø [mm] 37

Kv[m<sup>3</sup>/h] 38,5

PS[bar] 45

TS[°C] min.	-40
TS[°C] max.	+150
Paquete de n° piezas	1

## Notes

NB: versiones de flujo proporcional disponibles  
(1): completo con servomotores y placa de montaje