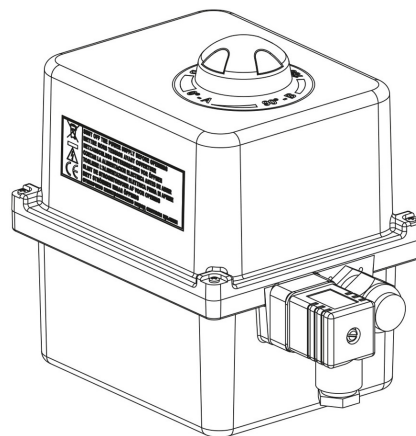


Product Code

9740/RA6

Electrical Actuator
100Nm 230V 50/60Hz



POLYHEDRA

CLASSIC

Product use

Actuators can be assembled, using suitable flanged adaptors, to 2-ways ball valves and to manual 3-ways ball valves. They are assembled directly on the motorized 3-ways ball valves. Once this coupling has been performed, the valve can be opened or closed remotely. Alternatively, the actuator can be excluded and the valve can be operated manually.

Castel manufacturers actuator with a variety of operational characteristics: they are manufactured with a synthetic, self-extinguishing housing that covers the motor, the control and cut-out electronics based on the gear reducer torque and the self centring fixing system of the valve rod.

In the event of a power outage to the actuator, the gear reducer can be disengaged using the specific lever, to permit manual use of the valve.

Furthermore, auxiliary contacts for switching are available for remote control of the valve status.

Product details

Dibujo img(9740_RA6.jpg)

N° catálogo 9740/RA6

N° catálogo (2)

Tensión [V] 230

Frecuencia [Hz] 50/60

Potencia [W] 45

Grado de protección IP 66

Ángulo de maniobra	90°
Torque [Nm]	100
Tiempo de marcha [sec]	120
Temperatura ambiente [°C] min.	-10
Temperatura ambiente [°C] max.	+55
Adecuado para llave de bola	ver los acoplamientos indicados en la tabla DIAGRAMA DE ACOPLAMIENTO
Paquete de n° piezas	1

Notes

- (1) Conexiones eléctricas: salida en conmutación de 2 puntos (abierto/cerrado) o bien salida en continua (0 ÷ 10V)
- (2) Conexiones eléctricas: Salida en conmutación de 2 puntos (abierto/cerrado)
- (3) Conexiones eléctricas: salida en continua (0 ÷ 10V)