

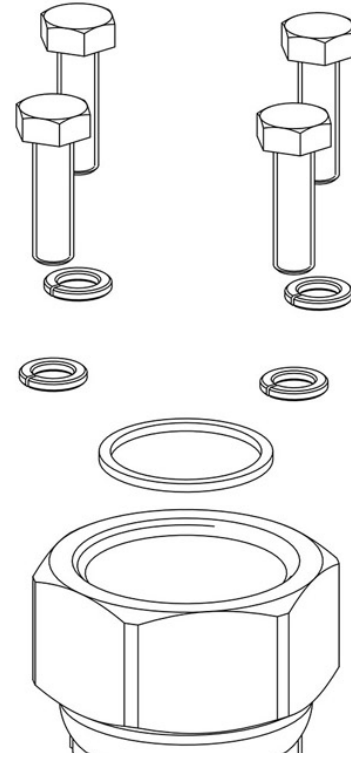
Product Code

**5690/X17**

Oil Level Regulator Adapter

1.1/4"-12UNF

PS = 45 bar



### Product use

The oil level regulators ensure monitoring and control of the oil level in the crankcases of both alternative reciprocating and scroll compressors. Specifically, these regulators are employed to resolve the problem of incorrect oil distribution in multiple compressor plants.

Accessories for use with the following ASHRAE 34:2019 refrigerants, Class A1, A2L, or A3:

HCFC (R22)

HFC (R134A, R32, R404A, R407C, R410A, R507)

HFO (R1234YF, R1234ZE)

HFO + HFC (R448A, R449A, R450A, R452A, R452B, R454A, R454B, R454C, R455A, R513A, R515A, R515B)

HC (R290, R600, R600A, R1270)

### Product details

Dibujo	img(5690_X16.jpg)
N° catálogo	5690/X17
Uniones Carter compresor (1)	Rotalock 1.1/4" - 12 UNF
Paquete de n° piezas	5

### Notes

(1) incluido tornillos para fijar el adaptador al regulador de nivel de aceite