

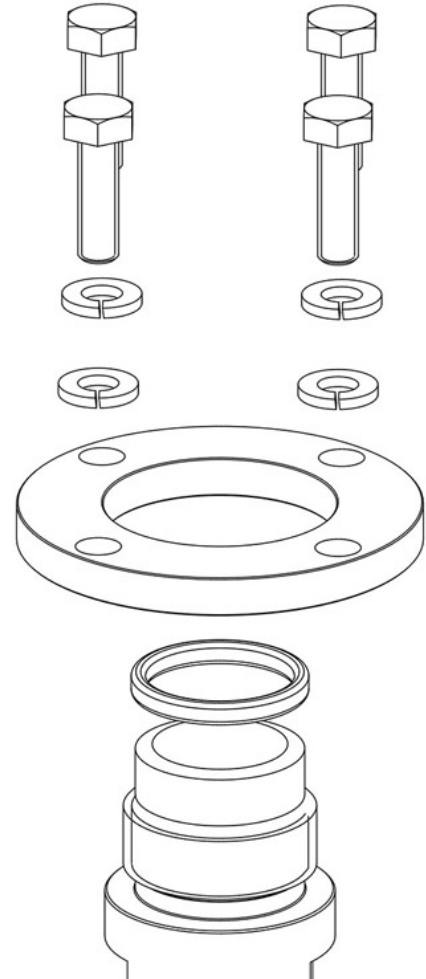
Product Code

**5690/X12**

Oil Level Regulator Adapter

1.1/8"-12UNF

PS = 140 bar



### Product use

The oil level regulators ensure monitoring and control of the oil level in the crankcases of both alternative reciprocating and scroll compressors. Specifically, these regulators are employed to resolve the problem of incorrect oil distribution in multiple compressor plants.

Accessories for use with the following ASHRAE 34:2019 refrigerants, Class A1, A2L, or A3:

HCFC (R22)

HFC (R134A, R32, R404A, R407C, R410A, R507)

HFO (R1234YF, R1234ZE)

HFO + HFC (R448A, R449A, R450A, R452A, R452B, R454A, R454B, R454C, R455A, R513A, R515A, R515B)

HC (R290, R600, R600A, R1270)

### Product details

Dibujo	img(5690_X12.jpg)
N° catálogo	5690/X12
Uniones Carter compresor (1)	Roscado 1.1/8? - 12 UNF
Paquete de n° piezas	5

### Notes

(1) incluido tornillos para fijar el adaptador al regulador de nivel de aceite

Castel non si assume alcuna responsabilità per eventuali errori nei cataloghi, opuscoli e altro materiale stampato o indicato nel sito Castel.it. Castel si riserva il diritto di modificare i propri prodotti senza preavviso. Tutti i marchi in questo materiale sono di proprietà di Castel. Tutti i diritti riservati.

Castel assumes no responsibility for any errors in catalogs, brochures and other material printed or indicated on the Castel.it website. Castel reserves the right to modify its products without notice. All trademarks in this material are the property of Castel. All rights reserved.