

Product Code

**5690/X17**

Oil Level Regulator Adapter

1.1/4"-12UNF

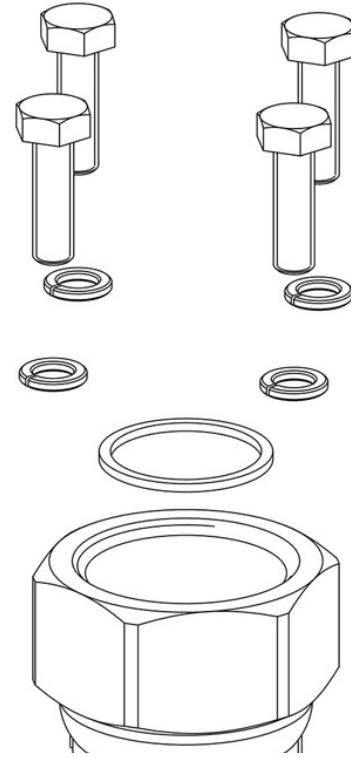
PS = 45 bar

### Product use

The oil regulators ensure monitoring and control of the oil level in the crankcases of both alternative reciprocating and scroll compressors.

Specifically, these regulators are employed to resolve the problem of incorrect oil distribution in multiple compressor plants.

- Refrigerant CO2 (R744)



### Product details

|                              |                          |
|------------------------------|--------------------------|
| Dibujo                       | img(5690_X16.jpg)        |
| N° catálogo                  | 5690/X17                 |
| Uniones Carter compresor (1) | Rotalock 1.1/4" - 12 UNF |
| Paquete de n° piezas         | 5                        |

### Notes

(1) incluido tornillos para fijar el adaptador al regulador de nivel de aceite