

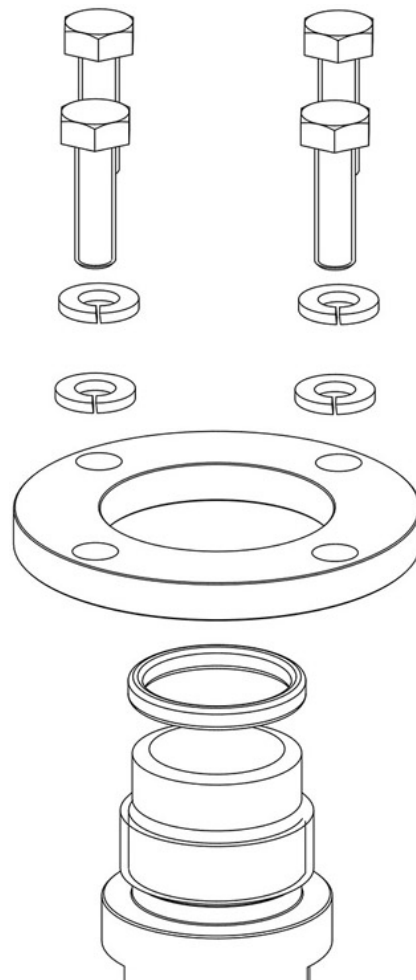
Product Code

5690/X12

Oil Level Regulator Adapter

1.1/8"-12UNF

PS = 140 bar



Product use

The oil regulators ensure monitoring and control of the oil level in the crankcases of both alternative reciprocating and scroll compressors.

Specifically, these regulators are employed to resolve the problem of incorrect oil distribution in multiple compressor plants.

- Refrigerant CO2 (R744)

Product details

Dibujo	img(5690_X12.jpg)
N° catálogo	5690/X12
Uniones Carter compresor (1)	Roscado 1.1/8? - 12 UNF
Paquete de n° piezas	5

Notes

(1) incluido tornillos para fijar el adaptador al regulador de nivel de aceite