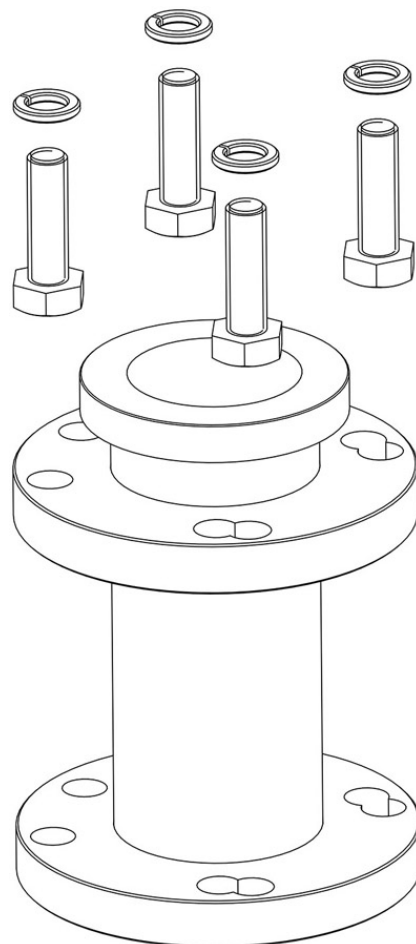


Product Code

5690/X11

Oil Level Regulator Adapter
Flanged 3 holes D. 1.7/8"-4 holes D. 50
PS = 140 bar



Product use

The oil regulators ensure monitoring and control of the oil level in the crankcases of both alternative reciprocating and scroll compressors. Specifically, these regulators are employed to resolve the problem of incorrect oil distribution in multiple compressor plants.

- Refrigerant CO2 (R744)

Product details

Dibujo

img(5690_X11.jpg)

N° catálogo

5690/X11

Uniones Carter compresor (1)

Brida con 3 orificios de diámetro 111 y 4 orificios de diámetro de 50 mmL = 83 mm

Paquete de n° piezas

5

Notes

(1) incluido tornillos para fijar el adaptador al regulador de nivel de aceite