

## Product Code

# 3136W/4

Differential Check Valve

1/2" ODS

PS = 45 bar - 600 PSI

**P**  **LYHEDRA**

### Product use

These pressure regulators are designed to limit the liquid flow rate from the condenser to the liquid receiver tank, effectively reducing the exchange surface of the condenser and increasing the condensation pressure. They operate in combination with the differential valve that by-passes the hot gas from the compressor outlet to the liquid receiver tank, increasing the pressure of the liquid in the receiver tank.

Accessories for use with the following ASHRAE 34:2019 refrigerants, Class A1:

HCFC (R22)

HFC (R134a, R404A, R407C, R410A, R507)

HFO (R1234ze)

HFO + HFC (R448A, R449A, R450A, R452A, R513A, R515A, R515B)

### Product details

**Dibujo** [img\(3136W\\_M12.jpg\)](#)

**N° catálogo** 3136W/4

**Conexiones SAE Flare** -

**Conexiones Ø ODS [in.]** 1/2"

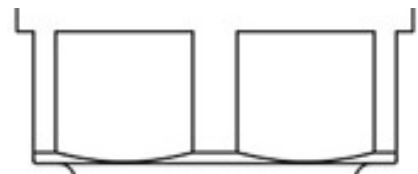
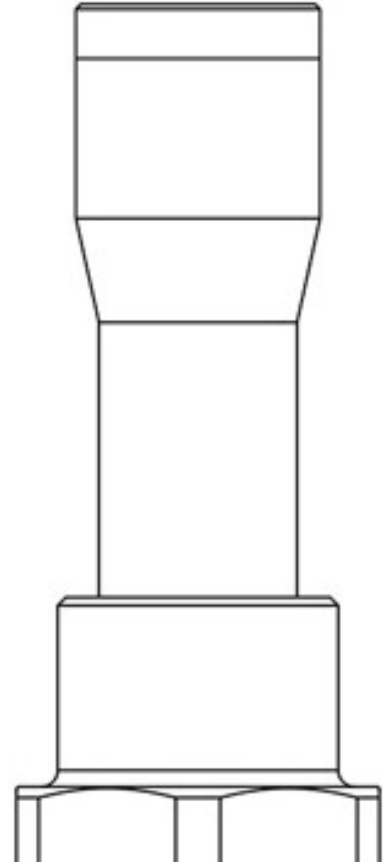
**Ø ODS [mm]** -

**Campo de regulación [bar]** 1,4 - 3

**Kv [m³/h]** 1,5

**PS[bar]** 45

**MWP [psi] (1)** 600



TS[°C] min.	- 40
TS[°C] max.	+ 130
Paquete de n° piezas	16

## Notes

(1): en conformidad con la homologación UL