

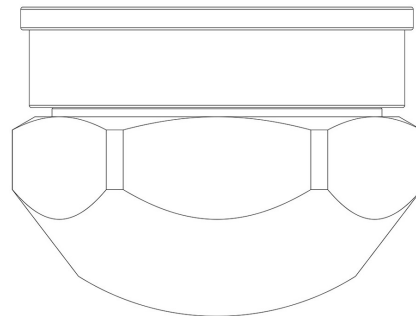
## Product Code

# 3780/11

Moisture Indicator Saddle Type

pipe 35mm

PS = 45 bar



CLASSIC

### Product use

Accessories for use with the following ASHRAE 34:2019 refrigerants, Class A1:

HCFC (R22)

HFC (R134a, R404A, R407C, R410A, R507)

HFO (R1234ze)

HFO + HFC (R448A, R449A, R450A, R452A, R513A, R515A, R515B)

### Product details

Dibujo [img\(3780\\_5.jpg\)](#)

N° catálogo 3780/11

Conexiones ODS Ø [in.] -

Conexiones ODS Ø [mm] -

ODM Ø [in.] -

ODM Ø [mm] -

Para tubo Ø [in.] 1.3/8"

Para tubo Ø [mm] 35

Orificio Ø [mm] -

PS [bar] 45

TS[°C] min. -30

<b>TS[°C] max.</b>	<b>+110</b>
<b>Paquete de n° piezas</b>	<b>120</b>