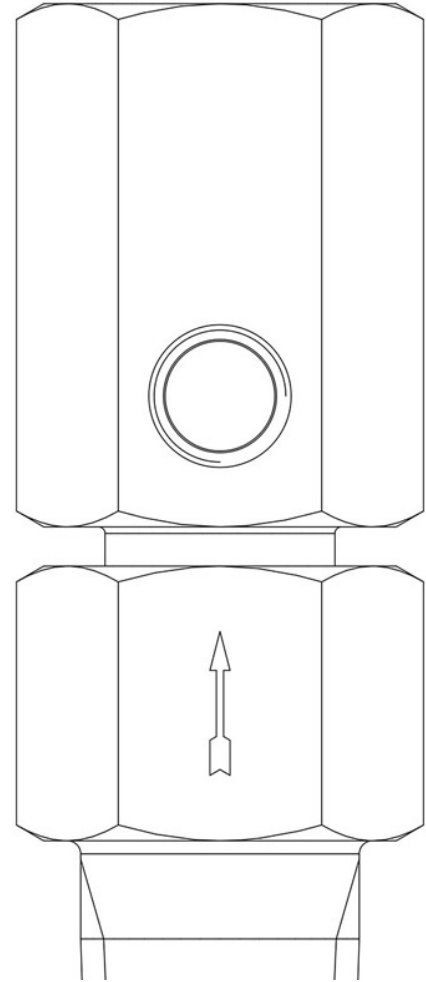


Product Code

3070/44C150

Bursting Disc Safety Device
1/2"x1/2"NPT Pset=15,0bar
PS = 55 bar



Product use

Bursting discs are safety devices designed to be installed in civil and industrial refrigeration and air conditioning systems. They act to protect equipment from any overpressure, with respect to the operating conditions for which they have been designed.

Bursting discs are manufactured from a calibrated gauge of nickel sheet, contained by a copper ring case. These discs are designed to burst at a predetermined pressure called the specified burst pressure, related to an associated temperature and a burst tolerance.

Product details

Dibujo 

N° catálogo 3070/44C150

Conexiones IN machio 1/2" NPT

Conexiones OUT femmina 1/2" NPT

servicio 2 x 1/8" NPT

Sección orificio [mm²] 113

Presión de rotura Pb [bar] 15

Presión máx. de ejercicio 75 % Pb

PS[bar] 55

| | |
|----------------------|------|
| TS[°C] min. | -50 |
| TS[°C] max. | +150 |
| Paquete de n° piezas | 20 |