

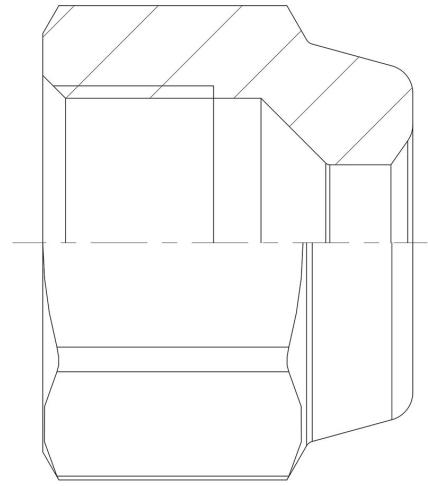
## Product Code

# 7030/5M14

Nut

5/8" Flare x Pipe 14mm

PS = 50 bar



## Product use

Accessories for use with the following ASHRAE 34:2019 refrigerants, Class A1, A2L, or A3:

- HCFC (R22)
- HFC (R134a, R32, R404A, R407C, R410A, R507)
- HFO and HFO/HFC blends (R1234ze, R1234yf, R448A, R449A, R450A, R452A, R513A, R515A, R515B)
- HC (R290, R600, R600a, R1270)
- R744

## Product details

**Dibujo** img(7030\_2M5.jpg)

**N° catálogo** 7030/5M14

**Código internacional** -

**SAE Flare** 5/8"

**Tubo de cobre Ø [in.]** -

**Tubo de cobre Ø [mm]** 14

**PS [bar]** 50

**Paquete de n° piezas** 25

## Notes

(1) rebajado