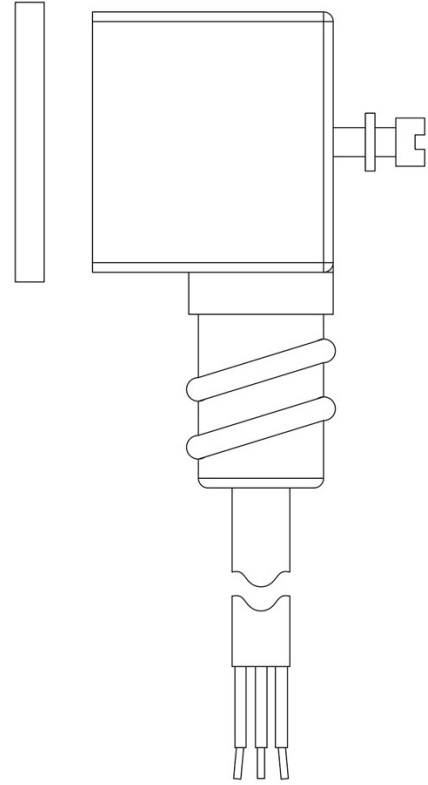


Product Code

**9900/X66**

Wired Connector

Length=1m



## Product use

Coils with gear fixing systems, series 9120 and 9160.

Fast-on connections type DIN 43650/A for coils in series: 9120, 9160. Protection rating IP65; IP68 for series 9160 coils coupled with series 9155 connectors.

Available voltages; 24 VAC - 50/60 Hz, 110 VAC - 50/60 Hz, 220/230 VAC - 50/60 Hz, 240 VAC - 50/60 Hz, 380 VAC - 50/60 Hz, 12 VDC, 24 VDC, 27 VDC.

Connectors in series 9150, normalized DIN 43650, to wire, with IP65 protection rating. Connectors in series 9900, again normalized DIN 43650, pre-wired with various cable lengths, with IP65 protection rating.

Connectors in series 9155, to wire, with IP65/68 protection rating.

## Product details

Dibujo img(9900\_X66.jpg)

N° catálogo 9900/X66

Grado de protección IP 65

Longitud cable [m] 1

note -

Paquete de n° piezas 50