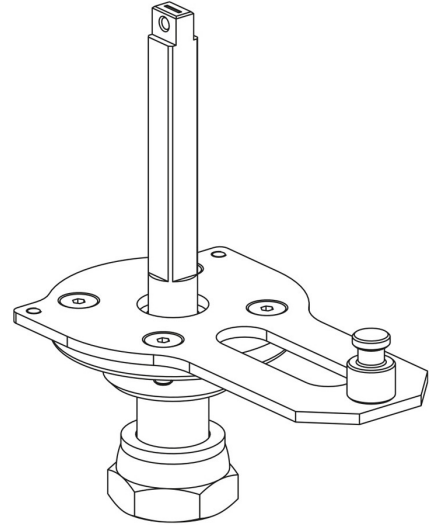


Product Code

**9901/X73**

Actuator Adapter

-



## Product use

Flanged adapters are made by Castel to couple the actuators to the 2-ways ball valves or manual 3-ways ball valves later allowing the conversion from a manual to a motorized valve.

## Product details

Dibujo img(9901\_X73.jpg)

N° catálogo 9901/X73

Paquete de n° piezas 1

## Notes

ver los acoplamientos indicados en la tabla DIAGRAMA DE ACOPLAMIENTO