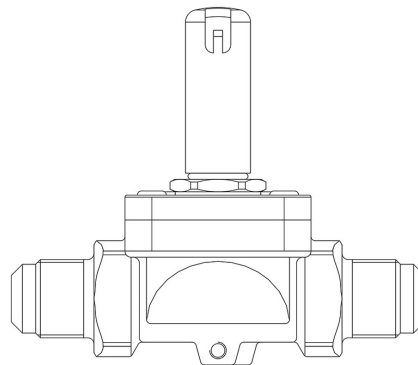


Product Code

1070N/4S

Solenoid Valve
1/2" Flare w/o Coil
PS = 50 bar



P  **LYHEDRA**

Product use

Accessories for use with the following ASHRAE 34:2019 refrigerants, Class A1, A2L, or A3:
 HFC (R134A, R32, R404A, R407C, R410A, R507)
 HFO (R1234YF, R1234ZE)
 HFO + HFC (R448A, R449A, R450A, R452A, R452B, R454A, R454B, R454C, R455A, R513A, R515A, R515B)
 HC (R290, R600, R600A, R1270)

These valves are sold in both the version without the coil (S suffix) and the version with the coil (A6 suffix for coils at 220 VAC).

Product details

Principio di funzionamento	Servocomando a membrana
Tipo Bobina (1)	HF2HF3HF4HM2HM3HM4CM2
Attacchi SAE Flare	1/2"
Kv [m³/h]	2,2
PS [bar]	50
TS [°C] min.	-40
TS [°C] max.	+120
Confezione n° pz	24

Notes

(1) : bobine che possono essere montate sulle valvole